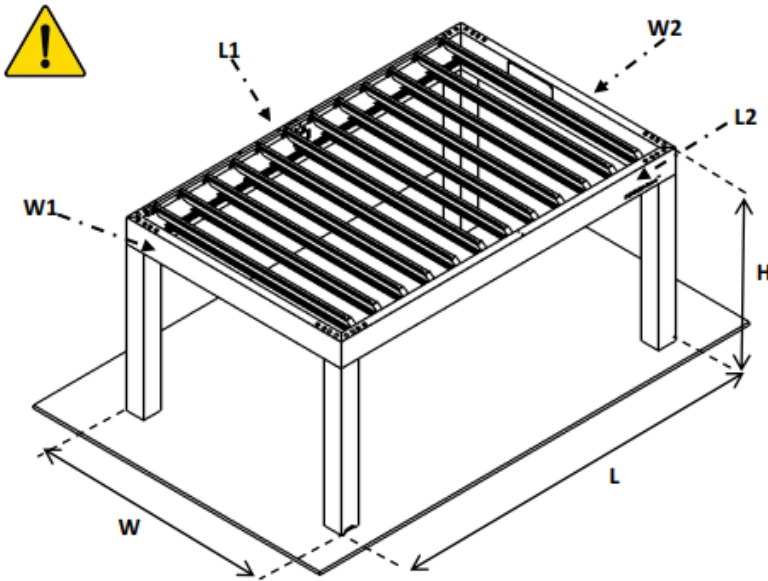


# Soltec Agava

## Free standing pergola Measure – foot support



### Basic layout (self standing model)

W – width of Pergola  
L – length of Pergola  
H – height of Pergola

L1 - longitudinal frame profile with motor unit and holes for blades

L2 - longitudinal frame profile with holes for blades

W1 - transverse frame profile with electronic, no holes for blades

W2 - transverse frame profile, no holes for blades

### Step 7 Position of foot support

